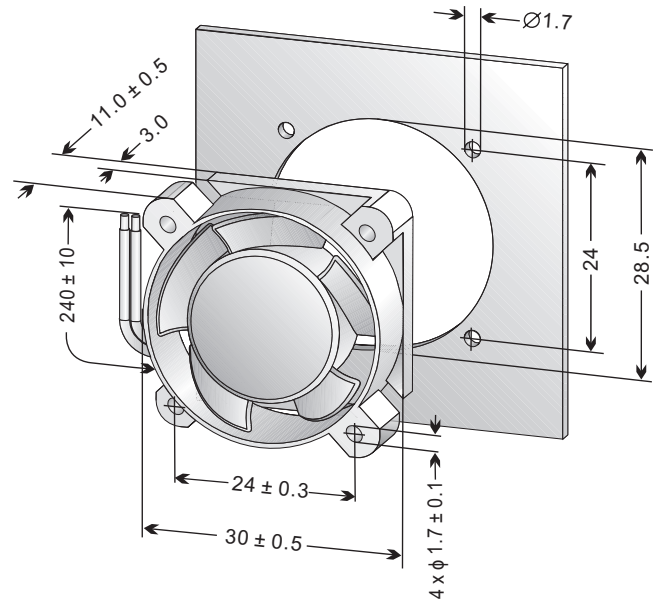
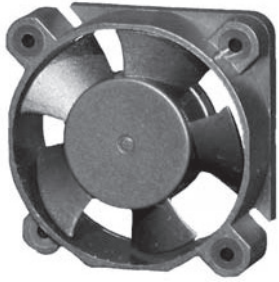


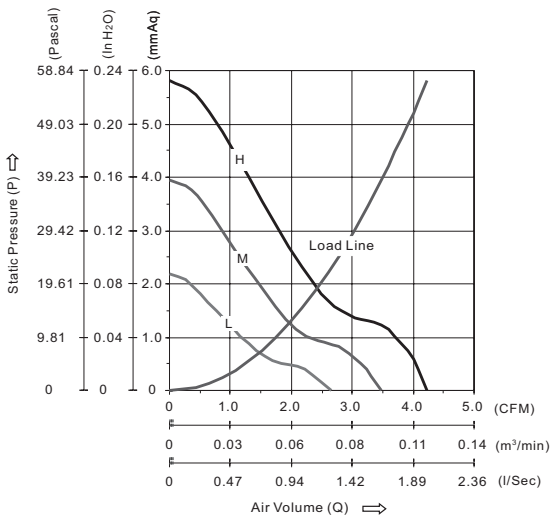
C-SERIES

30 x 30 x 10 mm

Frame: Thermoplastic PBT (GF 30%), UL94-V0
 Impeller: Thermoplastic PBT (GF 15%), UL94-V0
 Bearing System: Ball Bearing or Sleeve Bearing
 Lead Wire: UL 1007, AWG 28 / 240 mm, Red (+), Black (-)
 Protection: Locked rotor protected for minimum 72 hours



PQ GRAPH (AT RATED VOLTAGE)



AVAILABLE FUNCTIONS

1a. IR	1b. AS	1c. MS	2a. FG	2b. RD	2c. RDb	2d. LD	3. SG/PWM
	●		●				
4. OV	5a. TPWM	5b. RPWM	6. CL	7. CS	8a. VPWM	8b. IPWM	8c. PPWM

Part Number	Voltage (VDC)	Current (Amp.)	Power (Watts)	Speed (RPM)	Air Flow (Q)		Pressure (P)		Noise (dBA)	Unit Weight (g/CTN)
					(CFM)	(m³/min)	(mmAq)	(In H ₂ O)		
C3010H05BPLBx-5	05 (04-06)	0.150	0.75	10000	4.23	0.120	5.82	0.229	28.53	8.8 g (1080 pcs)
C3010M05BPLBx-5		0.110	0.55	8000	3.47	0.098	3.95	0.155		
C3010L05BPLBx-5		0.086	0.43	6000	2.65	0.075	2.19	0.086		
* C3010H12BPLBx-5	12 (07-14)	0.071	0.86	10000	4.23	0.120	5.82	0.229	28.53	8.8 g (1080 pcs)
C3010M12BPLBx-5		0.049	0.59	8000	3.47	0.098	3.95	0.155		
C3010L12BPLBx-5		0.037	0.45	6000	2.65	0.075	2.19	0.086		

* small quantities available ex stock

- All MICRONEL fans listed here refer to double ball bearing types; Sleeve bearing types may consume about 10% more power for the same speed.
- Noise Measurements are taken with background noise of 16.8 dBA.
- Please see «Function Legend» for explanation of each function.
- Specifications are subject to change without notice.